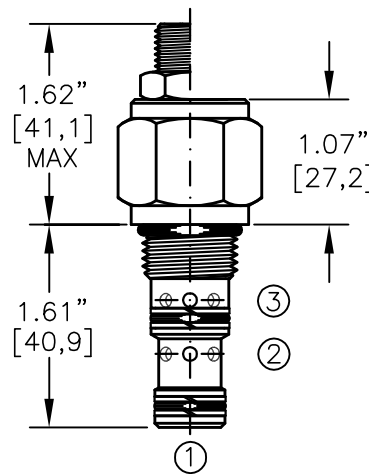
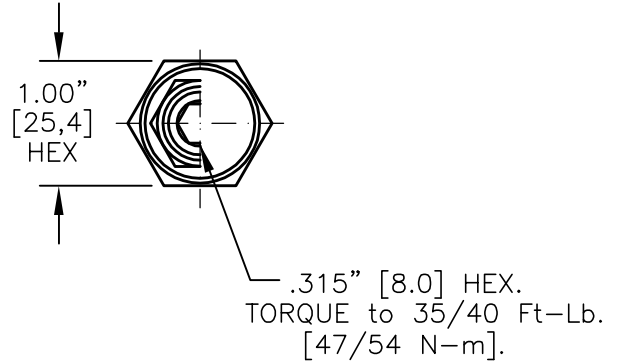
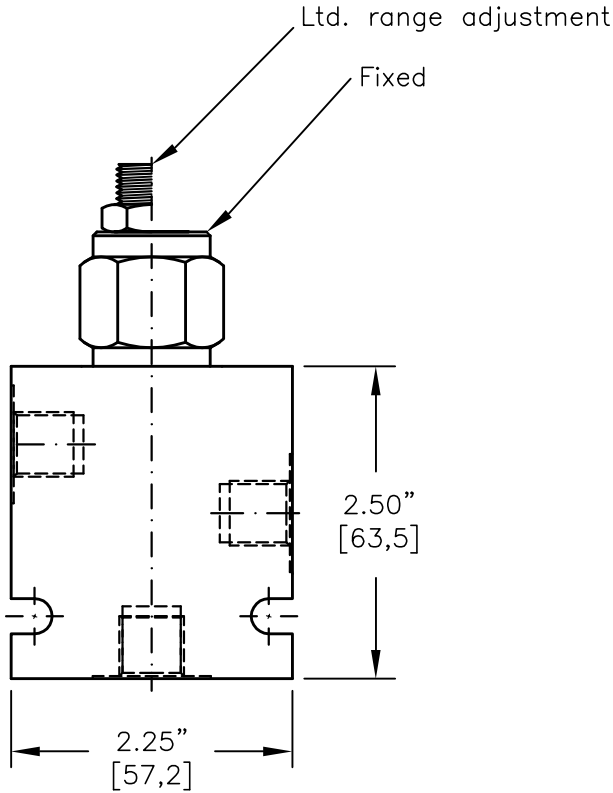
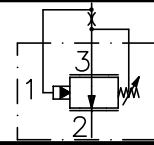




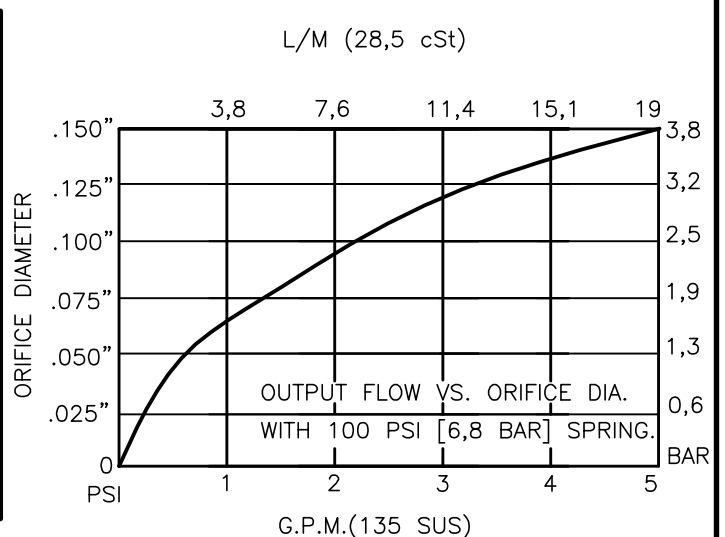
# PRESSURE COMPENSATOR SPOOL TYPE, INLINE-TYPE COMPENSATOR



FOR ALUMINUM OR STEEL VALVE HOUSING CONFIGURATIONS SEE PAGE 0-031.1

## PCEI-08-N-F-0-XXX

- BASIC SIZE
- 08 = 3/4"-16 UNF
- SEALS
- N = BUNA "N"
- V = VITON
- ADJUSTMENT
- F = FIXED (FACTORY SET)
- S = ADJUSTING SCREW
- C = CAPPED
- T = TAMPERPROOF
- K = HANDKNOB
- M = METAL HANDKNOB
- FOR ADJUSTMENT CONTROL OPTIONS SEE PAGE 0-050.0
- PRESSURE BIAS SPRING
- 100 = 100 PSI (FIXED)
- 160 = 40-160 PSI (ADJ)
- PORTS
- 0 = CARTRIDGE ONLY
- 02BX = G 1/4" BSPP
- 06TX = SAE - #6
- "A" - ALUM. HOUSING
- "S" - STEEL HOUSING





## PRESSURE COMPENSATOR SPOOL TYPE, INLINE-TYPE COMPENSATING

### DESCRIPTION

This unit is a DIRECT ACTING, SCREW IN CARTRIDGE STYLE, SPOOL TYPE, PRESSURE-COMPENSATING INLINE FLOW ELEMENT, intended for use with a remote fixed or variable orifice to yield a two-port (inline-type), pressure-compensated, flow regulating hydraulic valve.

### OPERATIONS

This valve maintains a constant flow rate at port 2 regardless of load pressure changes in a circuit downstream of port 2.

This cartridge compensator flow element maintains a constant differential pressure circuit point "P" to port 2 thereby regulating the hydraulic flow rate between the two points in the circuit. This is an inline type regulator, delivering only the exact amount of pump flow to port 2. All ports can be fully pressurized.

### FEATURES AND BENEFITS

Leakproof screw adjustment.

This valve has a fixed or an adjustable bias spring.

Adjustment screw can not be backed out of the valve.

Overset protection – spring can not go solid.

Hardened precision fitted spool & cage provides reliable, long life.

A unibody cage construction provides very low hysteresis and reliable operation.

All external carbon steel parts are plated for longer life against the elements.

Valve is available with fixed, screw, tamperproof, capped and handknob adjustments.

All cartridge valves are 100% functionally tested.

Industry common cavity.

### SPECIFICATIONS

OPERATING PRESSURE: 5,000 PSI [350 Bar]

PROOF PRESSURE: 10,000 PSI [700 Bar]

FLOW: "F" 4.0 GPM [15 L/M] nominal. See performance chart.

FLOW: "S" 6.0 GPM [23 L/M] nominal. See performance chart.

INTERNAL LEAKAGE: 5 cu.in./min. [85 cc/m].

VALVE HOUSINGS: 2500 PSI [175 Bar] = Aluminum – Anodized.  
5000 PSI [350 Bar] = Steel – Unplated.

OPERATING TEMPERATURE: -40° to +250° F. [-40° to +120° C.]

OPERATING MEDIA: All general purpose hydraulic fluids such as MIL-H-5606, SAE-#10, SAE-#20, etc.

INSTALLATION: Use undercut in cavity (port 3 only) to obtain max rated flow.

FILTRATION: 25 microns or better.

SEAL KIT NUMBER: SKN-0832 for buna "N".  
SKV-0832 for viton.

WEIGHT: 0.30 lb [.14 kg] cartridge only.

VALVE CAVITY: #C0830, See Page 0-031.0.